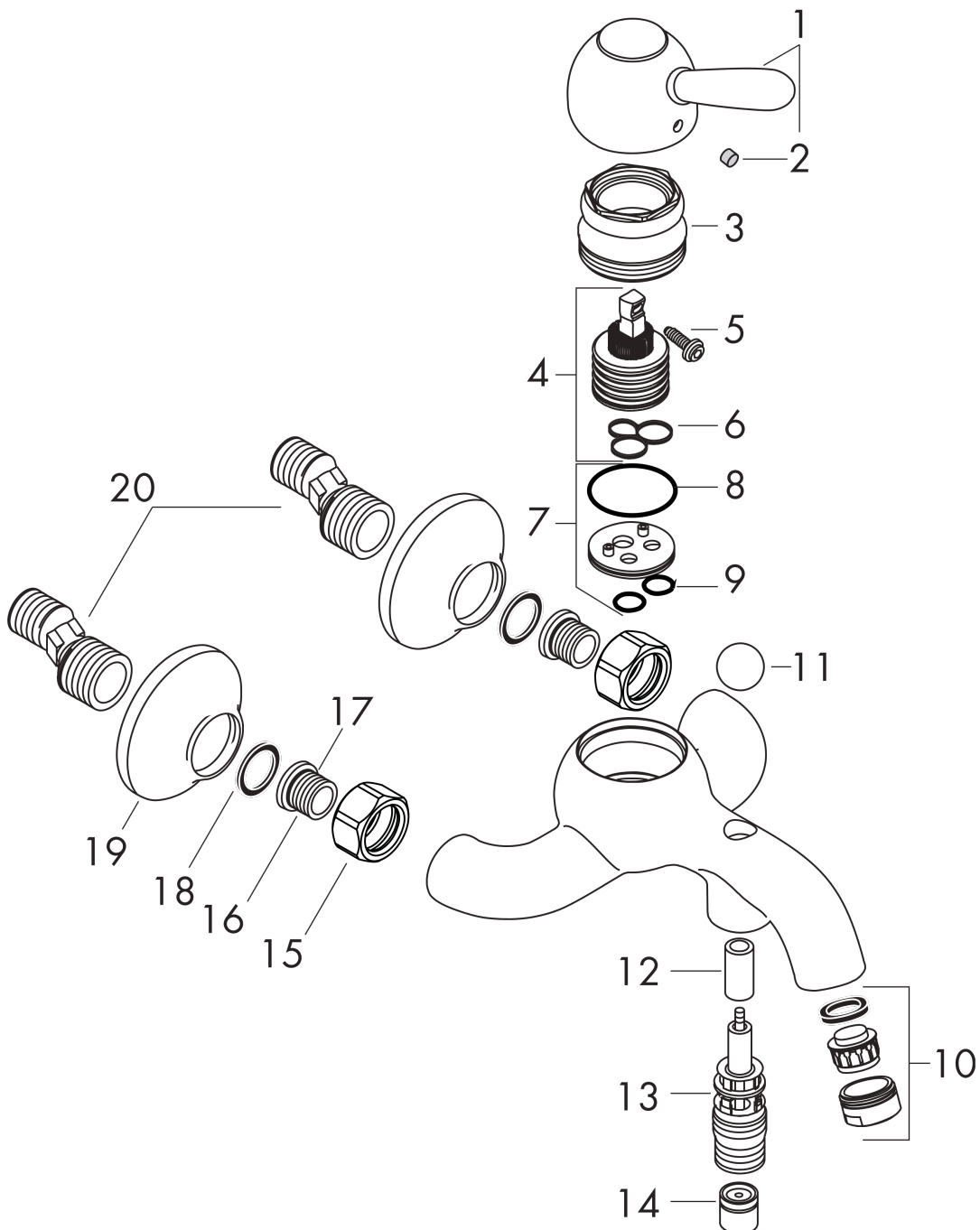


AXOR Carlton
Single lever bath mixer for exposed installation
Surfaces: **Chrome/Gold Optic** Article Number: **17410090**



Exploded Drawing

Year of production: **07/09 - 12/17**



AXOR Carlton
Single lever bath mixer for exposed installation
 Surfaces: **Chrome/Gold Optic** Article Number: **17410090**



Spare part list

Year of production: **07/09 - 12/17**

Pos.	Description	Article Number	PC	PU
1	handle	17092090	16	1
2	screw cover	96338000	1	1
3	nut	96539000	13	1
4	cartridge, assy	92730000	11	1
5	locking screw for handle	95140000	2	1
6	seal	95008000	3	1
7	adapter for cartridge	97773000	3	1
8	O-Ring 32x2	98193000	1	1
9	O-ring 9x1,8	98118000	1	1
10	aerator M24x1 (25 l/min)	13956990	9	1
11	diverter knob	94078990	11	1
12	sleeve	97738000	2	1
13	selector assy	94077000	9	1
14	set of non return valves DW 15	94074000	5	1
15	set of nuts	96157000	8	1
16	connecting thread	97220000	5	1
17	O-ring 15x2	98163000	1	1
18	filter packing	96922000	3	1
19	escutcheon Ø 70 mm	95154000	4	1
20	set of S-unions (±12 mm)	94140000	10	1
a	set of S-unions (±32 mm)	98592000	9	1
b	diverter fixing device	97211000	1	1